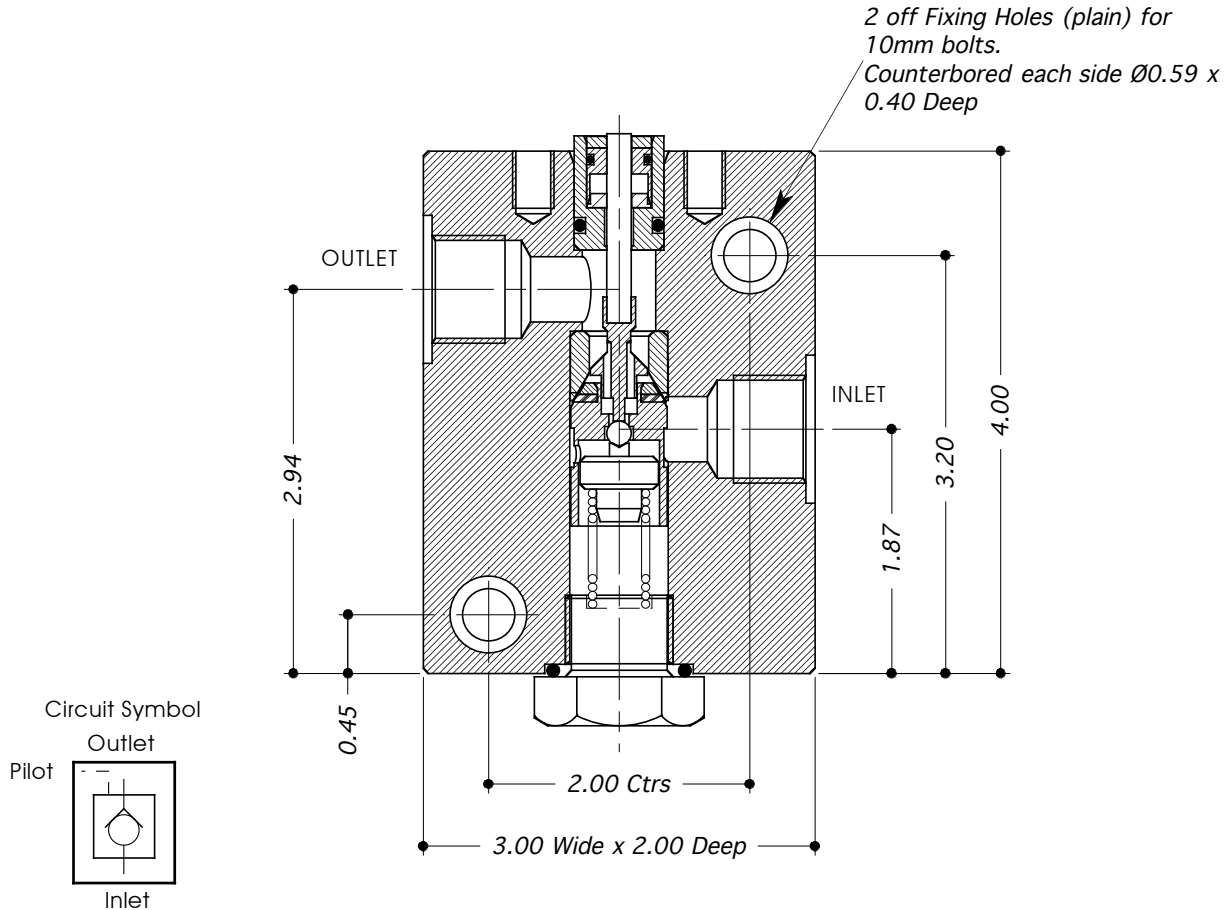


STOP VALVE TYPE: M1-50



Valves Ltd

- 2 POSN / 2 PORTED MILD STEEL - ENP (EN1A / 220M07) VALVE WITH ACTUATOR OPTIONS.
- SUITABLE FOR LIQUID USE.
- ACTUATION TYPE - SEE SECTION 12 FOR DETAILS.
- ALL DIMENSIONS IN INCHES.



TECHNICAL SPECIFICATION			ORDERING EXAMPLE
Valve Type:	M1-50		M1-50
Porting / Connection Options:	P = BSP (Parallel)		P
Actuator Options	Low Press. Pilot:	Types: H3 (125 psi MAX)	H3
	High Press. Pilot:	Types: H0 (10,000 psi MAX), H1 (10,000 psi MAX)	
	Mechanical:	Types: L, DL	
Max. Working Press: Liquid	20,000 psi		20K
Pilot Ratio:	Act.Type: H3	420 : 1	
	Act.Type: H0	42 : 1	
	Act.Type: H1	12.3 : 1	
Port Size:	1/2"		
Valve Seat Mat'l: Liquid	Stainless Steel - 431/1.4057		
Seal Material:	Viton (other materials available by request)		
CV Value:	1.72		
Dry Weight: (kg)	2.5		
Working Temperature Range:	-10°C to +80°C		